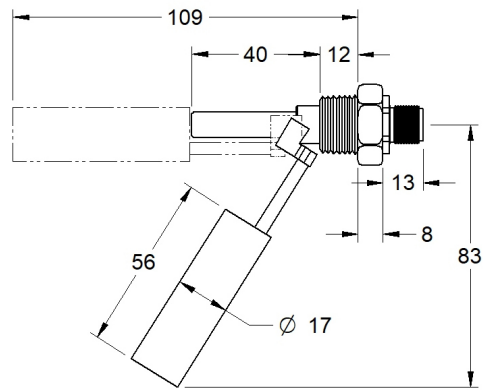




|                                |   |
|--------------------------------|---|
| Operating principle            |   |
| Application                    | <ul style="list-style-type: none"> <li>For the detection of a single level point in liquids.</li> <li>Used in filling, emptying, overfill alarm, etc.</li> </ul>  |
| <b>Constructive features</b>   |   |
| Process connection             | Thread 1/2" NPT   |
| Body material                  | Satinless steel AISI304L (1.4301)   |
| Operating temperature          | -30 .. +125 °C  |
| Protection                     | <ul style="list-style-type: none"> <li>IP68 in the submerged part</li> <li>IP67 on the outside</li> </ul>   |
| <b>Float</b>                   |   |
| Material                       | Satinless steel AISI304L (1.4301)   |
| Operating pressure             | 5 kg/cm <sup>2</sup>  |
| Density                        | 0,7 g/cm <sup>3</sup>   |
| Dimensions                     | Ø17 x 55 mm   |
| <b>Electrical data</b>         |   |
| Contact type                   | Reed switch, normally opened.<br>By reversing the float position, the contact can be NO or NC.  |
| Class                          | 50 WVA / 220VAC/DC - 2A   |
| Internal resistance            | <= 100 ohms   |
| Situation                      |   |
| <b>Electrical wiring</b>       |   |
| Type                           | M12 connector   |
| Connection                     | <ul style="list-style-type: none"> <li>1 MARRÓN / BROWN</li> <li>3 AZUL / BLUE</li> <li>4 NEGRO / BLACK</li> <li>2 BLANCO / WHITE</li> </ul> The female connector is not included. Can be ordered separately. |
| <b>Example of installation</b> |   |
|                                | <ul style="list-style-type: none"> <li>1 - Maximum level alarm</li> <li>2 - Maximum level</li> <li>3 - Minimum level</li> </ul>   |

**Dimensions**



- Shock can alter the characteristics of the sensor.
- Excessive mounting tilt can cause malfunction.
- Vibrations or ripples can cause an unexpected actuation of the contact.
- Use the load appropriate to the load capacity of the contact.
- Keep the sensor away from magnetic fields to avoid false contact operations.

**Microlectra bv.**

Augustapolder 12. 2992 SR Barendrecht The Netherlands  
[www.microlectra.nl](http://www.microlectra.nl) [info@microlectra.nl](mailto:info@microlectra.nl)