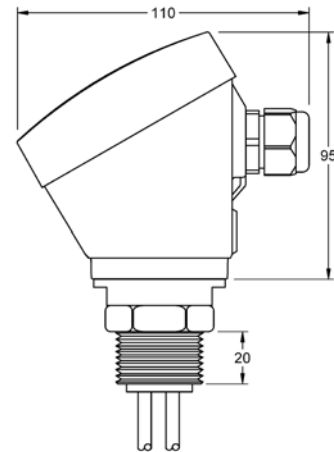


NCPS TB INOX / NCPSI TB INOX

They replace to:

- NTBA INOX
- NTBAI INOX



Description	Set of electrodes for the control of the level in conductive liquids. Usable in all kind of small tanks with pressure and temperature, opened or closed.											
Body material	SS AISI316 (1.4401).											
Electrode	SS AISI316 (1.4401) Ø5 mm. Optional Titanium. The number of electrodes depends on the function of the required level control. Consult the specific characteristics of each level relay.											
Electrode length	Standard, 1000 mm. All the electrodes are delivered at the same length. For setting the level detection points, cut each electrode to the required height. Keep in mind that the common electrode must have a length equal or longer than whichever other one.											
Process connection	Top screw 1" G, SS AISI316 (1.4401) (Common electrode). When assembling the sensor to the tank, the electrical conductivity between both parts must be assured. It can be employed cooper or aluminium sealings, etc. It is not recommended to use teflon.											
Electrical connection	Connection housing. PBT. 64 x 95 x 110 mm.											
Output	Terminals without built-in amplifier											
Maximum temperature	+100 °C											
Pressure	5 K/cm ²											
Electrode insulation	Optionally, the electrodes can be protected with PTFE, on request Poliolefine PE, insulation to guarentee the set detection points.											
Protection	IP65											
Usable with	Level relays for conductive liquids: relays families PN, DN and SN.											
Warning	DISIBEINT ELECTRONIC SL is not responsible of the electric behavior of these electrodes when using control relays belonging another manufacturers.											
Reference composition	<table border="1"> <thead> <tr> <th>Model</th> <th>Connection</th> <th>Nr. electrodes</th> </tr> </thead> <tbody> <tr> <td>NCPS TB INOX</td> <td rowspan="3" style="text-align: center;">1"</td> <td>1E</td> </tr> <tr> <td>NCPSI TB INOX (covering)</td> <td>2E</td> </tr> <tr> <td></td> <td>3E</td> </tr> </tbody> </table> <p style="font-size: small;">To compose the reference, select one option of each column. Example: NCPS TB INOX 1" 2E</p>		Model	Connection	Nr. electrodes	NCPS TB INOX	1"	1E	NCPSI TB INOX (covering)	2E		3E
Model	Connection	Nr. electrodes										
NCPS TB INOX	1"	1E										
NCPSI TB INOX (covering)		2E										
		3E										
Accessories	<table border="1"> <thead> <tr> <th>SEPARATOR</th> <th>PS-3</th> </tr> </thead> <tbody> <tr> <td></td> <td></td> </tr> <tr> <td>Electrodes separator</td> <td>Overvoltage protector for the probes line</td> </tr> <tr> <td>NR.SEP/P - PVC - Red</td> <td>PS3 - Noryl (housing box) - Light grey</td> </tr> </tbody> </table>		SEPARATOR	PS-3			Electrodes separator	Overvoltage protector for the probes line	NR.SEP/P - PVC - Red	PS3 - Noryl (housing box) - Light grey		
SEPARATOR	PS-3											
Electrodes separator	Overvoltage protector for the probes line											
NR.SEP/P - PVC - Red	PS3 - Noryl (housing box) - Light grey											
Function												
Reference - Material - Colour												

Rev. 01/00 - 05/04/11 - DISIBEINT reserves the right to modify the specifications stated in this document without previous notice.