

PFEA / PFEB DFEA / DFEB

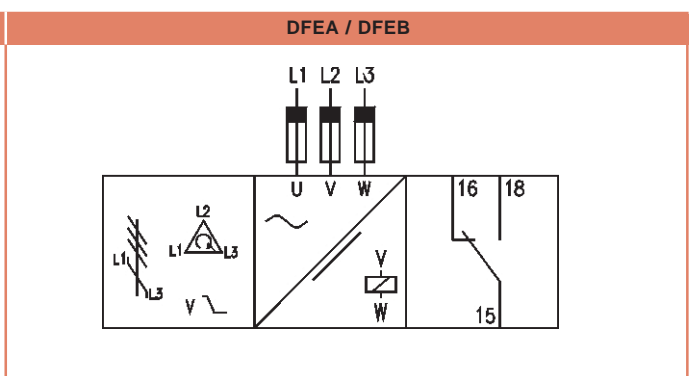
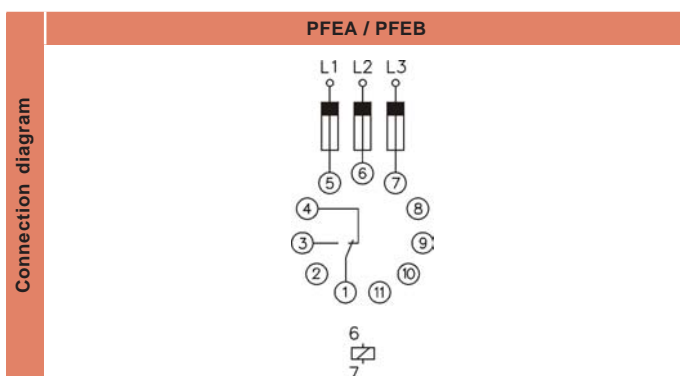
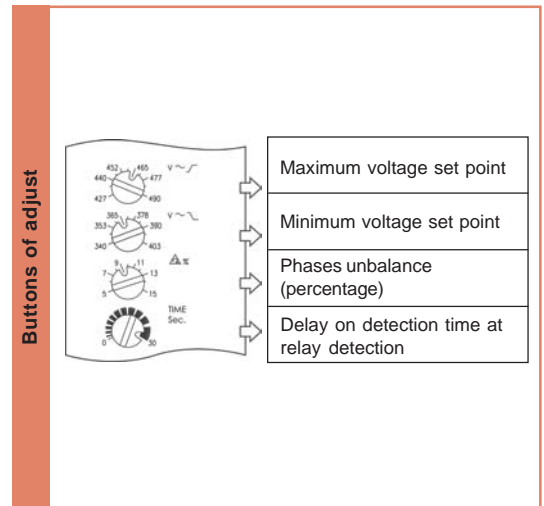
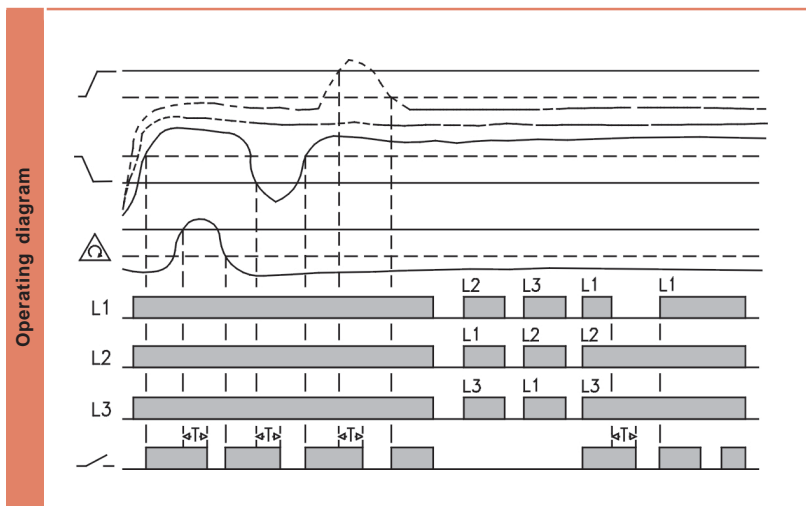


PHASE RELAY

Difference	Control of phase succession, voltage fault, threshold, unbalance and rotation angle. Three-phase lines without neutral.
Connection	The three-phase line is connected to terminals 5, 6 and 7 (PFEA/B) or L1, L2 and L3 (DFEA/B) in the order indicated in the connection diagram.
Operating principle	While there is no anomaly the relay remains operated, and it releases for any of the following causes: <ul style="list-style-type: none"> . If the phase voltage is not correct. . If one or more phases are not present. . If the voltage in whichever of the phases does not stay between the adjusted margins. . If rotation angle does not stay between the adjusted margins.
Leds indication	Power on: Green Relay on: Red
Delay on connection	No
Delay on detection	Adjustable from 0 to 30 Sec.
Regulation margins	±18% nominal value.

Reference	HOUSING		FUNCTION		OUTPUT		VOLTAGE		RANGES	
	P	Plg-inn	F	Phase relay	A	SPDT	110	3 x 110 VAC	50	50 Hz
D	DIN rail	E		B	DPDT	220	3 x 220 VAC	60	60 Hz	
						400	3 x 400 VAC			
						440	3 x 440 VAC			
						500	3 x 500 VAC			

To compose the reference, select one option of each column. Example: PFEA 110 50



		PFEA	PFEB	DFEA	DFEB	
Output relays						
	Resistive load	AC	10 A / 250 V	8 A / 250 V	10 A / 250 V	8 A / 250 V
		DC	0,4 A / 200 V 10 A / 24 V	0,25 A / 200 V 8 A / 24 V	0,4 A / 200 V 10 A / 24 V	0,25 A / 200 V 8 A / 24 V
	Inductive load	AC	5 A / 250 V	2,5 A / 250 V	5 A / 250 V	2,5 A / 250 V
		DC	5 A / 24 V	4 A / 24 V	5 A / 24 V	4 A / 24 V
	Mechanical life		> 30 x 10 ⁶ operations		> 30 x 10 ⁶ operations	
	Max. switching rate, mech.		72.000 operations / hour		72.000 operations / hour	
	Electrical life at full load		360 operations / hour		360 operations / hour	
	Contact material		AgNi 90/10		AgNi 90/10	
	Maximum voltage		440 VAC		440 VAC	
Operating voltage		250 VAC		250 VAC		
Volt. between changeovers		2500 VAC		2500 VAC		
Voltage between contacts		1000 VAC		1000 VAC		
Voltage coil/contact		5000 VAC		5000 VAC		
Distance coil/contact		10 mm		10 mm		
Isolation resistance		> 10 ⁴ MΩ		> 10 ⁴ MΩ		

Supply	AC	
	PFEA/PFEB	DFEA/PFEB
	Galvanic isolation	
	Yes	
	Frequency	
	50 / 60 Hz	
Operating margins		
±10% -15%		
Positive		
-		
Protected polarity		
-		
Consumption		
1,6 VA		

Constructive and environmental data	PFEA / PFEB	DFEA / DFEB	
	Voltage phase-neutral	300 V	300 V
	Overtoltage category	III	III
	Rated impulse voltage	4 kV	4 kV
	Pollution degree	2	3
	Protection	IP 20 B	IP 20
	Approximate weight	250 g	280 g
	Storage temperature	-50°C +85°C	-50°C +85°C
	Operating temperature	-20°C +50°C	-20°C +50°C
	Humidity	30..85% HR	30..85% HR
	Housing	Cycloley - Light grey	Cycloley - Light grey
	Socket	Lexan - Light grey	-
	Visor leds	Lexan - Transparent	Lexan - Transparent
	Button, terminal block, clip	Technyl - Dark blue	Technyl - Dark blue
	Pins of the socket	Nickel brass	-
Pins of the terminal block	-	Brass	
Approvals	Designed and manufactured under EEC standards. Electromagnetic compatibility, directives 89/366/EEC and 92/31/EEC. Electric safety, directive 73/23/EEC. Plastics: UL 91 V0		

Dimensions	PFEA / PFEB		DFEA / DFEB	