



Capacity from 3 kg to 50 kg



- ALUMINUM ALLOY
- COMBINED ERROR $\leq \pm 0.02\%$ (0.017% C4; 0.014% C5)
- IP65 PROTECTION RATING

CAPACITY	kg	ACCURACY CLASS					PLATFORM (mm)	NET WEIGHT (kg)
		C3	C4	C5				
3		•	•	•	•	•	250 x 350	0.2
5		•	•	•	•	•	250 x 350	0.2
10		•	•	•	•	•	250 x 350	0.2
15		•	•	•	•	•	250 x 350	0.2
20		•	•	•	•	•	250 x 350	0.2
30		•	•	•	•	•	250 x 350	0.2
50		•	•	•	•	•	250 x 350	0.2

ON REQUEST

CERTIFICATIONS

- OIML R60 C3
- Complies with the Eurasian Customs Union standards
- Equivalent of the CE marking for the United Kingdom
- Complies with United Kingdom regulations for legal for trade use

CERTIFICATIONS ON REQUEST

- Linearity test
- ATEX II 1GD (zone 0-1-2-20-21-22) (CE - UK CA)
- IECEx (zone 0-1-2-20-21-22)
- OIML R60 C4/C5
- Complies with the Eurasian Customs Union standards for use in potentially explosive atmospheres
- NTEP - Complies with United States regulations for legal for trade use

COMPLEMENTARY ACCESSORIES

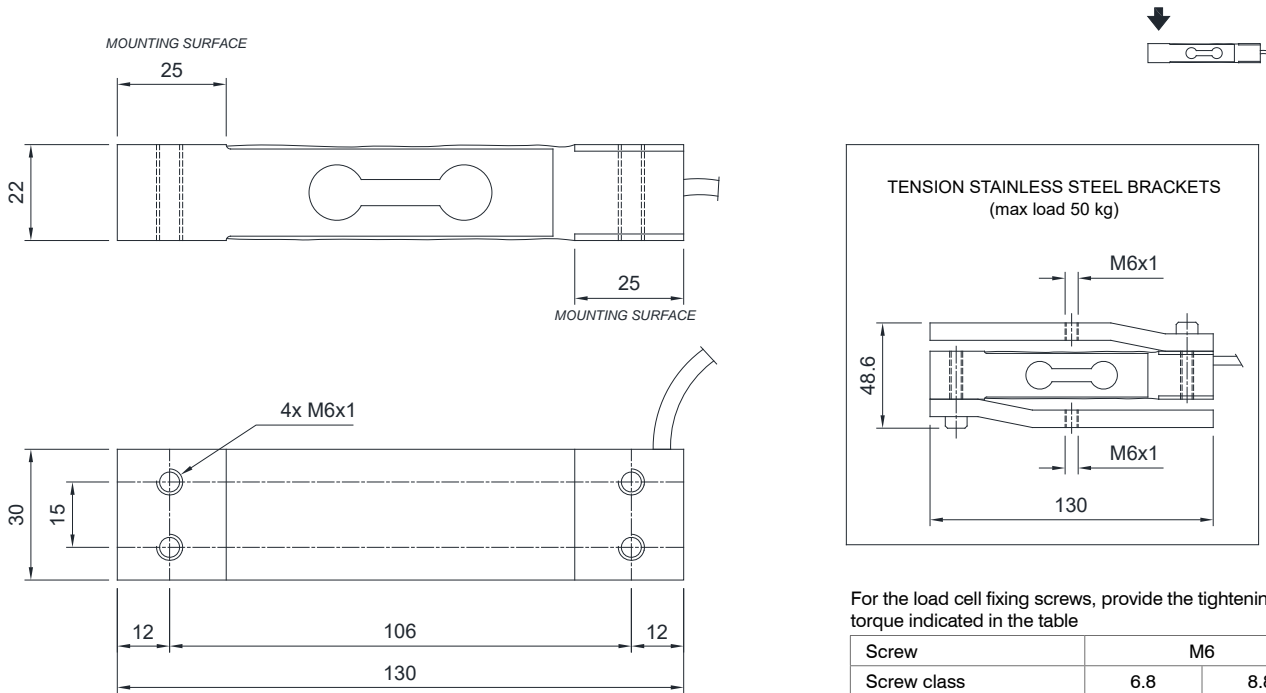
DESCRIPTION



Pair of stainless steel tension brackets.
Maximum static load: 50 kg.

STAFFEALL

DIMENSIONS (mm)



For the load cell fixing screws, provide the tightening torque indicated in the table

Screw	M6	
	6.8	8.8
Tightening torque	7.5 Nm	10 Nm

TECHNICAL FEATURES

Material	Aluminum alloy		
	C3 • 3000	C4 • 4000	C5 • 5000
OIML R60 Accuracy class • Verification intervals	3 - 5 - 10 - 15 - 20 - 30 - 50 kg		
Nominal load (E max)	E max / 10000		
Minimum verification interval (V min)	E max / 15000	E max / 20000	
Combined error	≤ ±0.02%	≤ ±0.017%	≤ ±0.014%
Protection rating	IP65		
Rated output	2 mV/V ±10%	Input resistance	409 Ω ±6
Temperature effect on zero	0.0017% °C	Output resistance	350 Ω ±3
Temperature effect on span	0.0014% °C	Zero balance	≤ ±2%
Compensated temperature range	-10 °C / +40 °C	Insulation resistance	≥5000 MΩ
Operating temperature range	-35 °C / +65 °C	Safe overload (% of full scale)	150%
Creep at nominal load in 30 minutes	0.015%	Ultimate overload (% of full scale)	300%
Max supply voltage without damage	18 V	Deflection at nominal load	0.5 mm

ELECTRICAL CONNECTIONS

Cable length	3 m
Cable diameter	3.8 mm
Cores	4 x 0.20 mm ²

