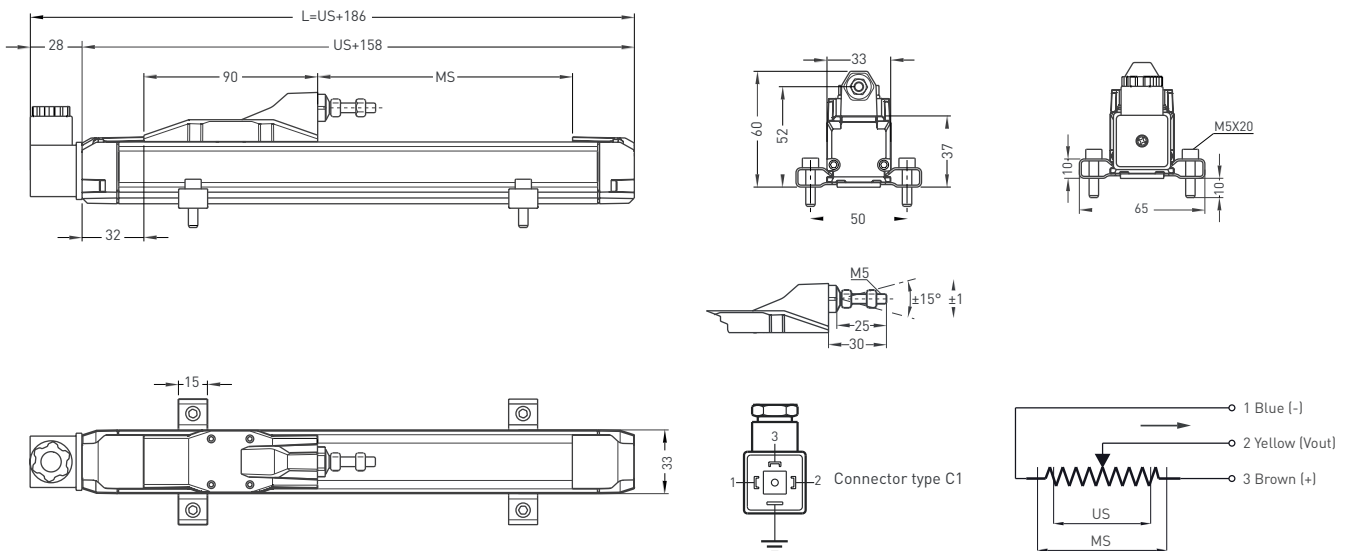


- Measuring range 100 - 1950 mm
- 100 million movements life
- <0.01 mm repeatability
- Infinite resolution
- 5 kOhm : 100 - 600 mm
10 kOhm : 650 - 1000 mm
20 kOhm : 1250 - 1950 mm



Technical Specifications	
Measurement stroke	100 - 1950 mm
Linearity	±%0.05 (>200 mm), ±%0.1 (130 - 200 mm), ±%0.2 (75 - 129 mm), ±%0.5 (<75 mm)
Repeatability	< 0.01 mm
Resolution	Infinite
Resistance	5 kOhm : 100 ... 600 mm 10 kOhm: 650 ... 1000 mm 20 kOhm: 1250 ... 1950 mm
Resistance tolerance	± %20
Load resistance	100 kOhm min.
Recommended wiper current	<1 µA
Permissible applied voltage	28 VDC max.
Electrical connections	4 pin connector
Displacement speed	< 1,5 m/s
Mechanical life	100 million movement
Case dimensions	33 mm x 33 mm
Case material	Anodized aluminium
Mechanical fixing	Variable brackets
Protection level	IP 40 / upside down IP 53
Operating temperature	-20°C ... +80°C
Storage temperature	-30°C ... +90°C

Mechanical Specifications



RPH (mm)	100	125	130	150	175	200	225	250	275	300	325	350	375	400	450	500	550	600	650	700	750	800	850	900	1000	1250	1500	1750	1950
US (Usefull stroke)	100	125	130	150	175	200	225	250	275	300	325	350	375	400	450	500	550	600	650	700	750	800	850	900	1000	1250	1500	1750	1950
MS (Mechanical stroke)	104	129	134	154	179	204	229	254	279	304	329	354	379	404	454	504	554	604	654	704	754	804	854	904	1004	1254	1504	1754	1954
L (Total length)	286	311	315	336	361	386	411	436	461	486	511	536	561	586	636	686	736	786	836	886	936	986	1036	1086	1186	1436	1686	1936	2136

Ordering Procedure

Model	Measurement stroke (mm)	Linearity (%)	Resistance (kOhm)	Connector / Cable
RPH	500	D	5K	C1
RPH	100 - 1950 mm	A: ±%0.5 (<75mm), B: ±%0.2 (75-129 mm), C: ±%0.1 (130-200 mm), D: ±%0.05 (>200mm)	5K : 5 kOhm (100-600mm) 10K : 10 kOhm (650-1000mm) 20K : 20 kOhm (1250-1950mm)	C1 : 4 pin connector C5 : Connector 1M : 1 meter cable

Please note: The specifications and information in this datasheet may not cover all special demands arising from specific applications. Therefore, they do not constitute a comprehensive description of the product properties. OPKON accepts no responsibility for damages resulting from the improper application of our products. The user is responsible for ensuring that the products used are suitable for their own application.