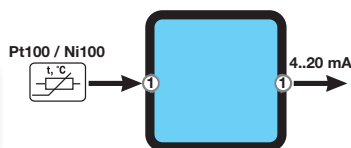




K120RTD

PT100, NI100 LOOP POWERED CONVERTER



K120RTD is a converter for Thermoresistance PT100/Ni100 with 2,3,4 wires and convert / isolate it into 4..20mA loop powered signal. It's completely configurable through dip switches or PC software. The output signal is not isolated from the input one.

TECHNICAL SPECIFICATIONS

General Data

Power supply	5..30 Vdc
Power consumption	< 660 mW
Isolation	-
Transducer Power Supply	-
Accuracy	0,1%
Response time	About 220 ms
Status Indicators	Power supply, error
Setting	Dip Switches EASY LP (PC software)
Mounting	35 mm DIN rail guide
Protection Degree	IP20
Operating Temperature	-20..+65 °C
Dimension (W x H x D)	6,2 x 93 x 102,5 mm

Input

Channel Numbers	1
RTD	Pt100, Ni100 Measure 2, 3, 4 wires

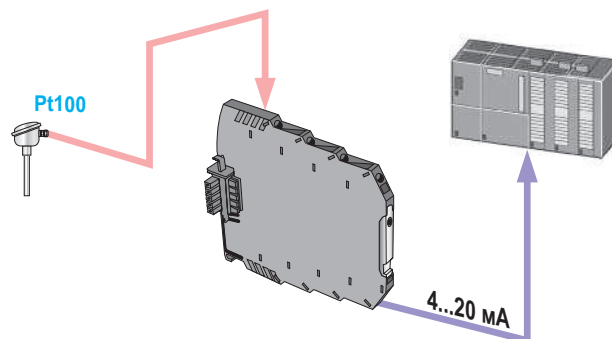
Output

Channel Numbers	1
Current	4...20mA (loop powered)

Standard

Approval	CE
Norms	EN 50081-2; EN 55011; EN 50082-2; EN 61000-2-2/4; EN 50140/141; EN 61010-1

APPLICATION NOTE



ORDER CODES

Code	Description
K120RTD	Pt100, Ni100 loop powered converter

ACCESSORIES & SOFTWARE



EASY USB
USB ↔ UART TTL CONVERTER



EASY_LP
Programming software

SIMILAR PRODUCTS



Z109REG2
Universal converter to DC current/voltage isolator converter with alarm output



T121
loop powered universal transmitter



K121
Loop powered universal converter



K109PT1000
PT1000 to DC current/voltage isolator/converter