



SLN-44

- universal pulse counter
- counting input: contact / OC / voltage
- add, subtract, add/subtract or quadrature mode
- 1 or 2 REL
- front panel reset, remote reset, auto-reset
- STN display with backlight
- small panel size DIN 48 x 48 mm

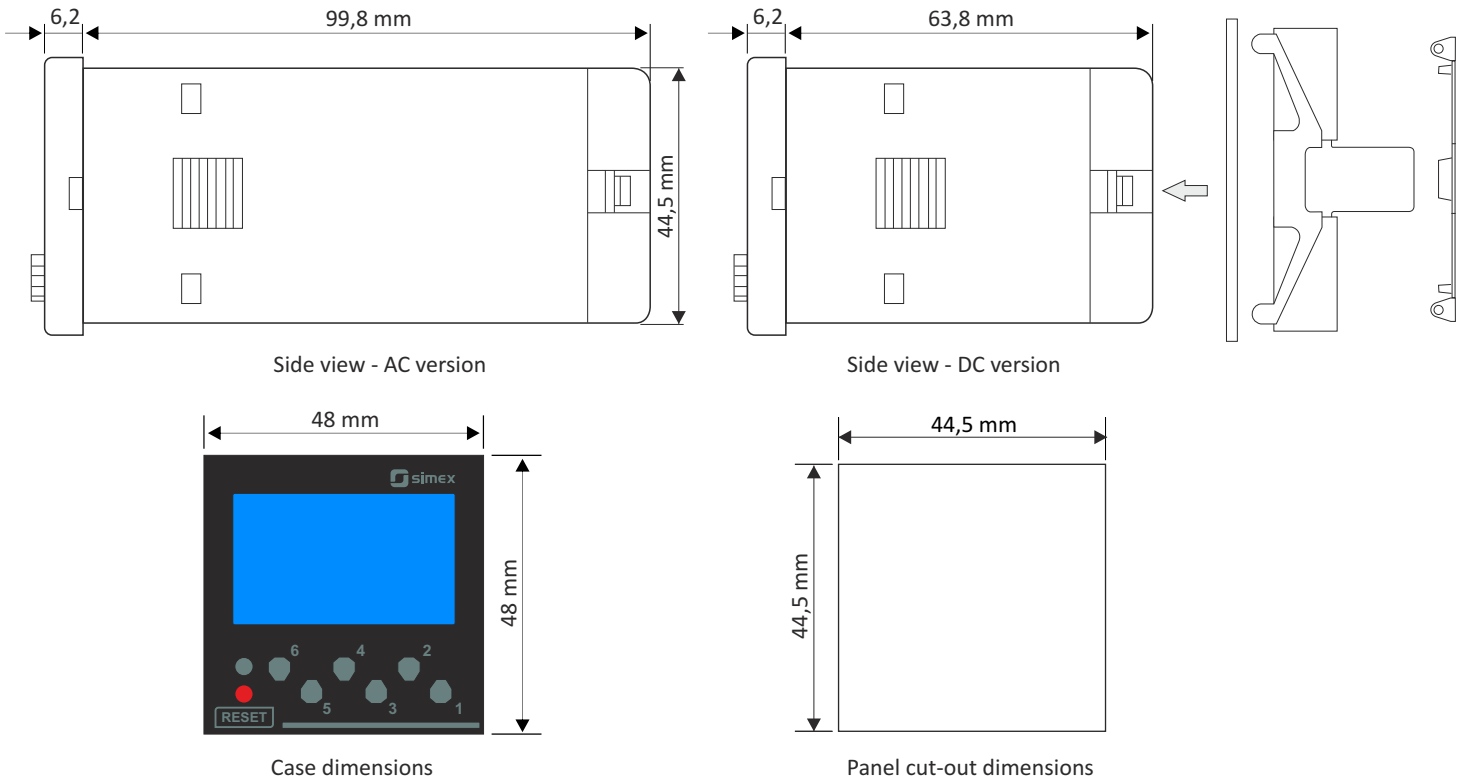
The **SLN-44** series is a DIN 48 x 48 electronic preset counter with a Blue STN LCD display with white backlight. The display is 6 digits dual layer, divided into Main display and Sub-display. The main display has a 10 x 5 mm figure size showing the count value and the Sub-display shows the preset values. Included in the display are Preset level indicators and Output indicators which can be toggled by a push of a button. The **SLN-44** series is available in 1 or 2 level preset or 1 level + Prewarn type which makes it an ideal counter for general counting or total/batching counting applications. It is 100-240V AC or 12-24V DC powered and has an external power supply of 12V DC for sensors. The **SLN-44** can count bidirectional (Quadrature), Add, Subtract or Add/Subtract and upon reaching the preset value/s, the built-in output relays are actuated. It has a built-in EEPROM memory to avoid loss of count during sudden power cut. This makes the **SLN-44** Series the most versatile and functional preset counter even for the complicated applications such as packaging (batching), converting (prescale), cut-to-length (preset+prewarn) and many more.

TECHNICAL DATA

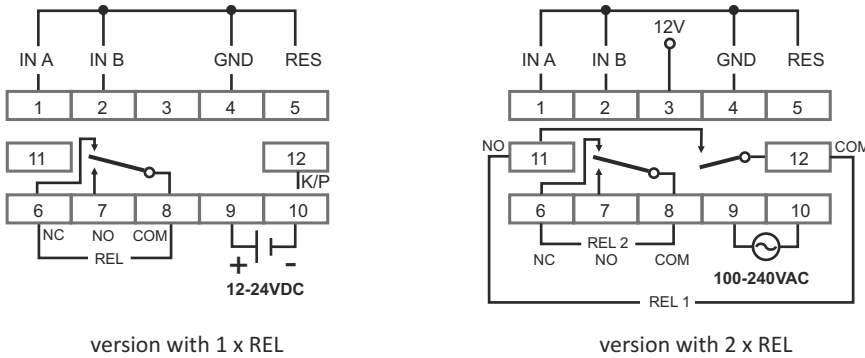
Power supply	12 - 24V DC -15%, +10% or 100 - 240V AC -15%, +10%
Power consumption	2,5 W for 24V DC; 7 VA for 240V AC
Display	Blue STN LCD with white backlight; 6 digits, size of digits 10 mm x 5 mm
Inputs	counting, pulse: open collector (sink current approx. 11 mA), input levels: low 0-4V voltage (input impedance 7 kΩ), input levels: low 0-4V, high 6-30V (available to duplex wire DC sensor)
Reset	front panel reset, remote reset (2 ms or 20 ms, selectable), auto-reset
Displayed values range	-99999 - 999999, decimal point position: 0.0, 0.00, 0.000 or no decimal point
Outputs	1 or 2 relays 250V AC 5A / 30V DC max. 5A
Sensor supply	12V DC / 100 mA (available only with 2 relays)
Count speed	30Hz, 1kHz, 5kHz, 10kHz (selectable)
Output delay	30Hz - 17 ms; 1kHz/5kHz/10kHz - 12 ms
Prescale	0.001 - 99.999 (0 setting is not available)
Memory	EEPROM type, 10 years, can be used about 10000 times
Operating temperature	-10°C ÷ +50°C
Humidity	45 ÷ 85% RH (non-condensing)
Protection class	IP 54 (panel surface)
Case	panel mounting
Dimensions	case (WxHxD): 48 x 48 x 64 mm (DC supply), 48 x 48 x 100 mm (AC supply) panel cut-out dimensions: 44,5 x 44,5 mm
Weight	approx. 120 g (DC supply), approx.160 g (AC supply)



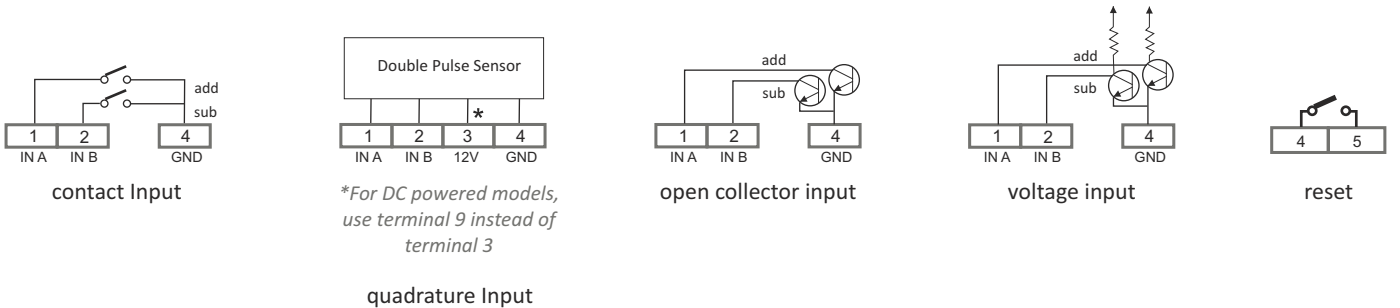
DIMENSIONS



EXAMPLARY PIN ASSIGNMENT



INPUTS ASSIGNMENT



ORDERING

SLN-44-1511-0-3-001: 1 relay, DC power supply
 SLN-44-1521-0-4-001: 2 relays, AC power supply

