

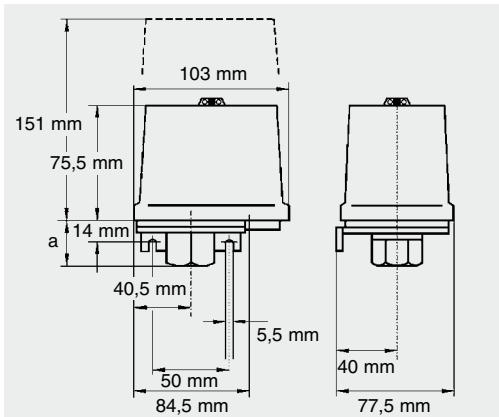


Description

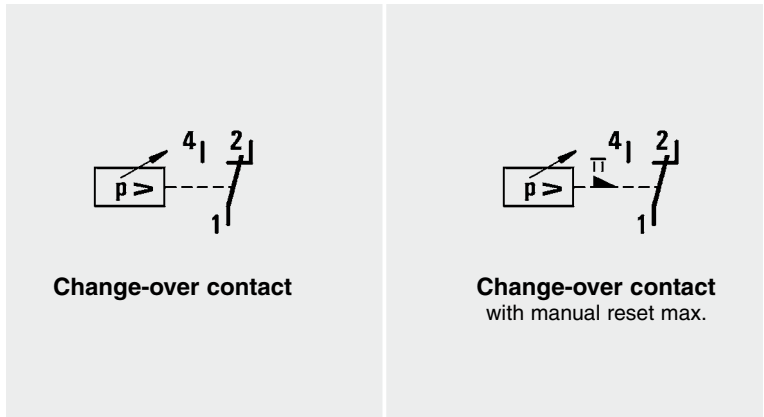
- FF 4... VdS are approved for use in fixed watersprinkler installations by the German Association of Insurers.
- 4-2 VdS is a typical alarm pressure switch. The setting range is limited to 1 bar. Differential lever and spring are omitted to assure a minimum resetting differential.
- FF 4-10 VdS and FF 4-16 VdS pressure switches limit the differential to 1.5 bar maximum.

Control pressure switch FF 4... VdS

Dimensions



Circuit diagrams



Types

Pressure switch for fire fighting equipment, VdS-approved. Special demands for quality and functional reliability are placed on pressure switches intended for pressure monitoring on fireprotection equipment. Pressure connector: I (G 1/2" Female thread, DIN 1725/2), ALSi 12.

Order reference	Upper switch pt. adjustable (bar)	Lower switch pt. adjustable (bar)	Smallest diff.* (bar)	Max. operating pressure (bar)	Max. test pressure (bar)	Standard setting (bar)	Part No.
FF 4-2 VdS DAI	0,35 ... 1	0,25 ... 0,9	0,1 fixed	20	40	0,6 / 0,7	1020068
FF 4-2 VdS DRI**	0,5 ... 1		0,2 fixed	20	40	... / 0,7	1020070
FF 4-10 VdS DAI	0,7 ... 10	0 ... 8,5	0,5 1,5	32	40	4 / 5	1020080
FF 4-16 VdS DAI	1 ... 16	0,5 ... 15	0,8 1,5	36	48	11 / 12	1020067

** FF 4-2 VdS DRI with manual reset max.

* at lower ... higher end of range

Technical data	
Rated operating current at 230 V AC 1	16 A
Rated operating current at 230 V AC 15	6 A
Rated operating current at 230 V DC 13	0,1 A
Permissible motor power 1 ~ 230 V	0,55 kW
Resistance to vibration 10 up to 1000 Hz	4 g
Protection acc. to DIN 40 050/IEC 529 with rubber grommet	IP 54
Protection acc. to DIN 40 050/IEC 529 with cable glands PG 13.5/M20	IP 65
Ambient temperature range	-20 ... +70° C
Perm. medium temperature	+70° C
Repeatability	< 2 % FS